



# ROTATION SEQUENCE

Models STX4-2000, STX4-4000

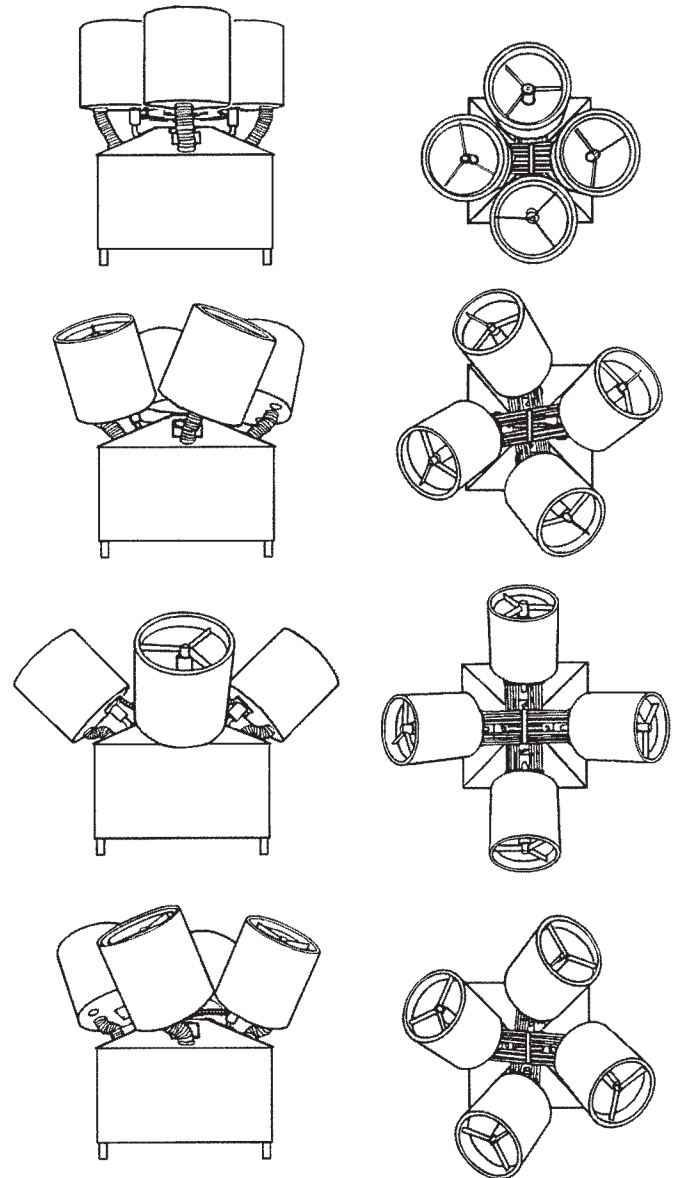
The SkyTracker motion sequence begins with the four searchlight beams in the vertical position.

As the continuous and synchronized rotation starts, the bent shaft mount causes the beam to sweep down toward the horizon.

At the most extended position, the beam is at a 45° angle from the vertical.

The clockwise rotation continues, bringing the four beams back up toward the vertical position. This motion pattern repeats approximately six times each minute.

The overall effect is an inverted pyramid formed by light beams, opening and closing in a continuously sweeping motion to pinpoint the location of the event.





# STX4

# ROTATION CLEARANCE

